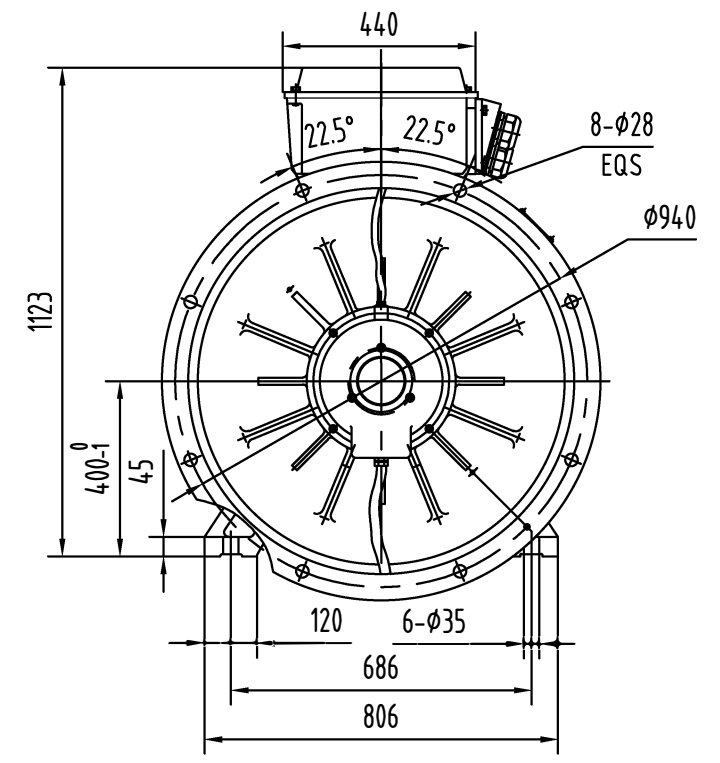
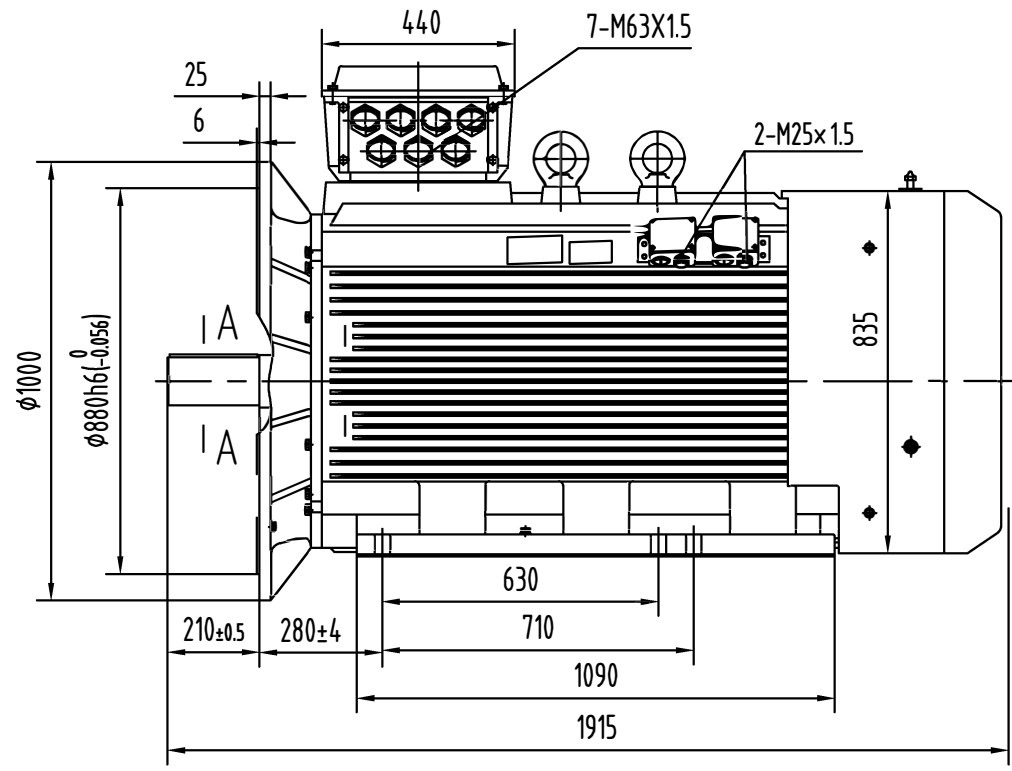
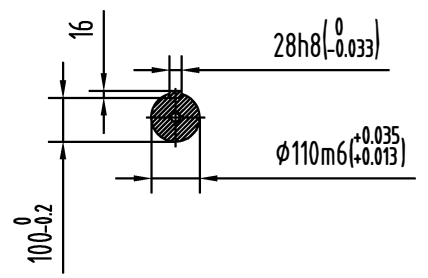


OUTLINE



A - A



						OUTLINE			Y2-400-4-10 B35		
Mark	No.	Zone	Changed file No.	Signature	Data						
Design			Standard					1:16			
Check											
Auditing											
Technics			Approval			Total page	page No.				

